

SMD INDUCTOR

FASDR SERIES

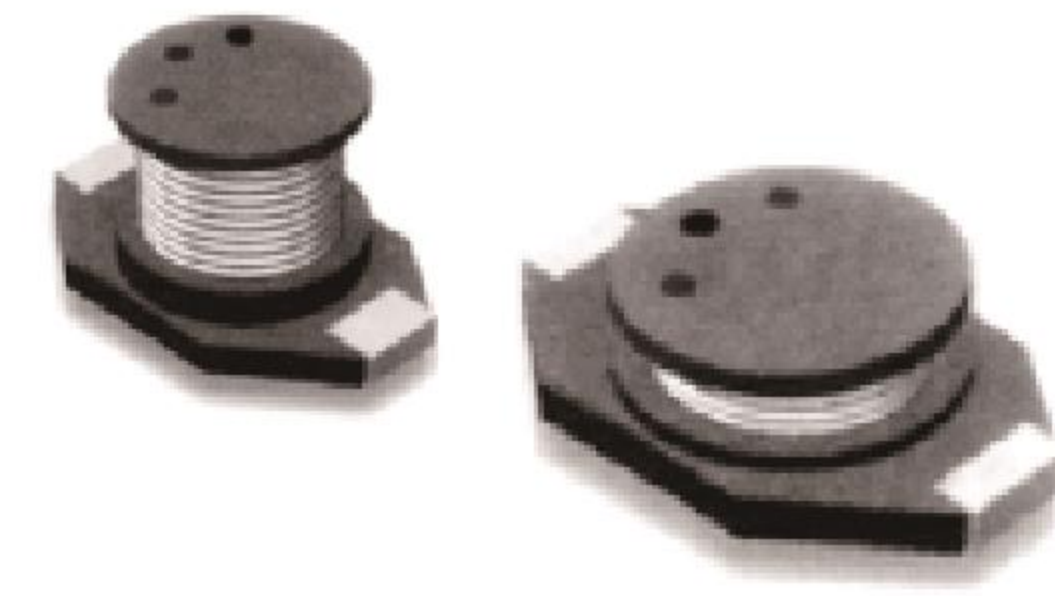


SDR0302 to SDR1008 SERIES - UNSHIELDED

- 0.8uH to 1.2mH Inductance
- 1.80mm to 8.30mm Height
- 0.03A to 4.70A Saturation Current

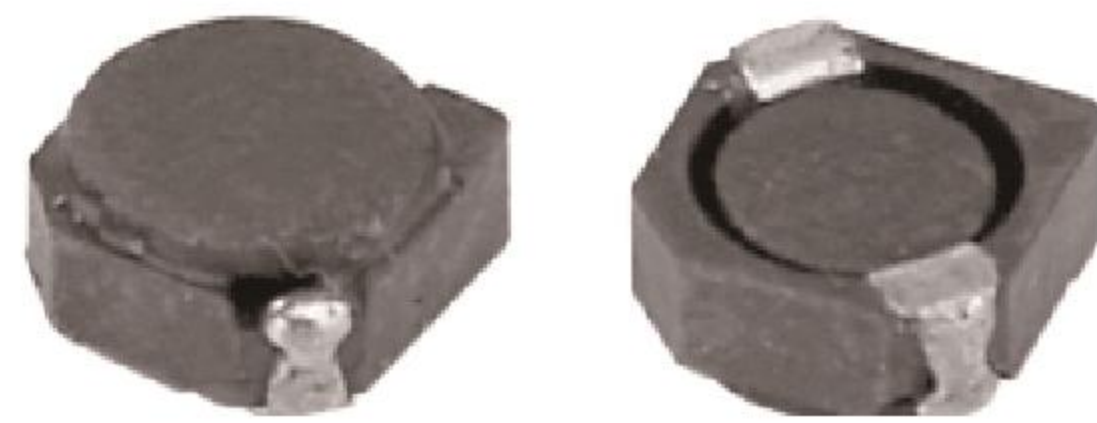
SPI-T SERIES - UNSHIELDED

- 1.0uH to 1.0mH Inductance
- 3.00mm to 11.43mm Height
- 0.10A to 18.00A Saturation Current



FASPI SERIES

FASDRH SERIES

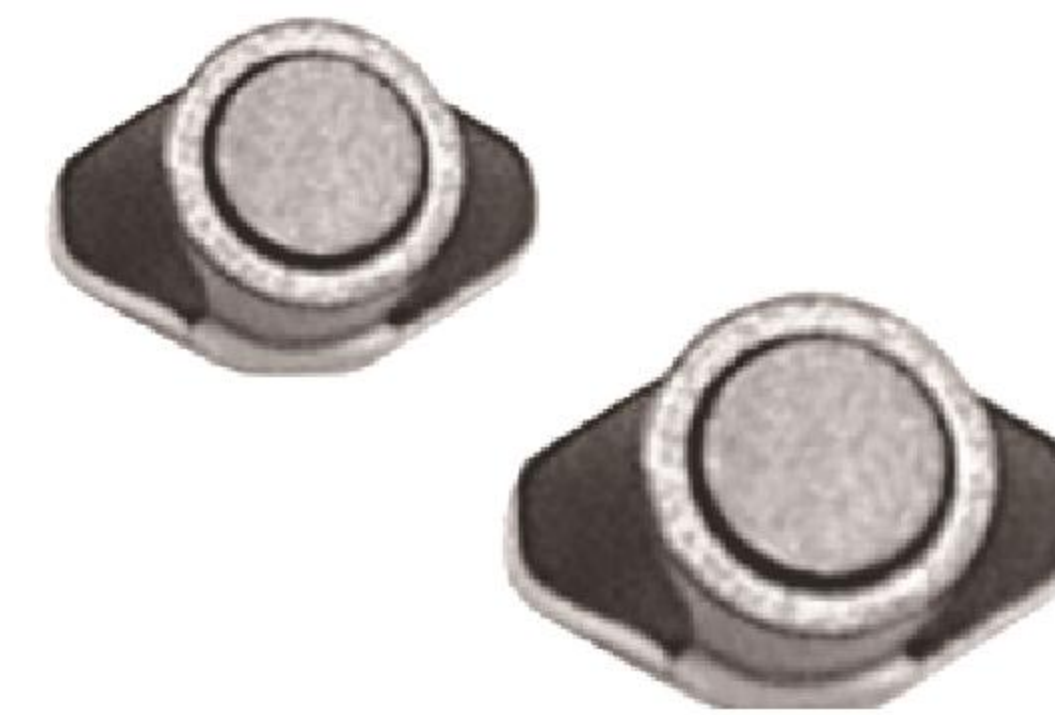


DRH2D11 to 6D38 - MAGNETICALLY SHIELDED

- 1.0uH to 180uH Inductance
- 1.90mm to 4.00mm Height
- 0.15A to 5.00A Saturation Current

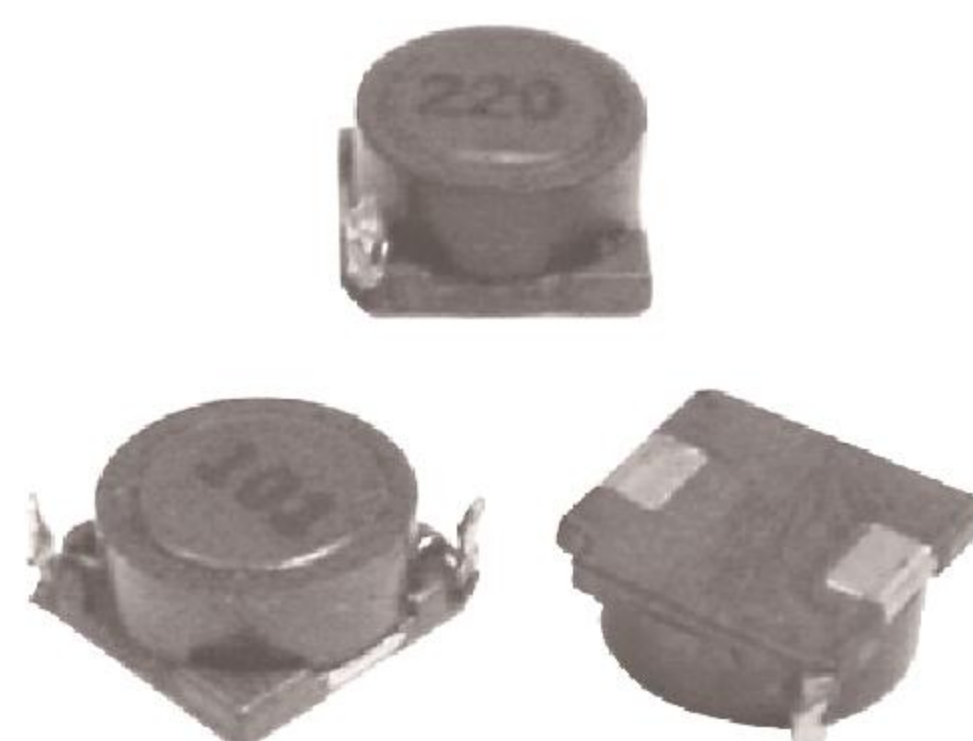
SPI-S SERIES - MAGNETICALLY SHIELDED

- 10uH to 1mH Inductance
- 2.92mm to 7.62mm Height
- 0.045A to 8A Saturation Current



FASPI SERIES

FASDRH SERIES



SDR6025 to 7045,10145 to 12575- MAGNETICALLY SHIELDED

- 1.0uH to 560uH Inductance
- 3.00mm to 5.50mm Height
- 0.11A to 7A Saturation Current

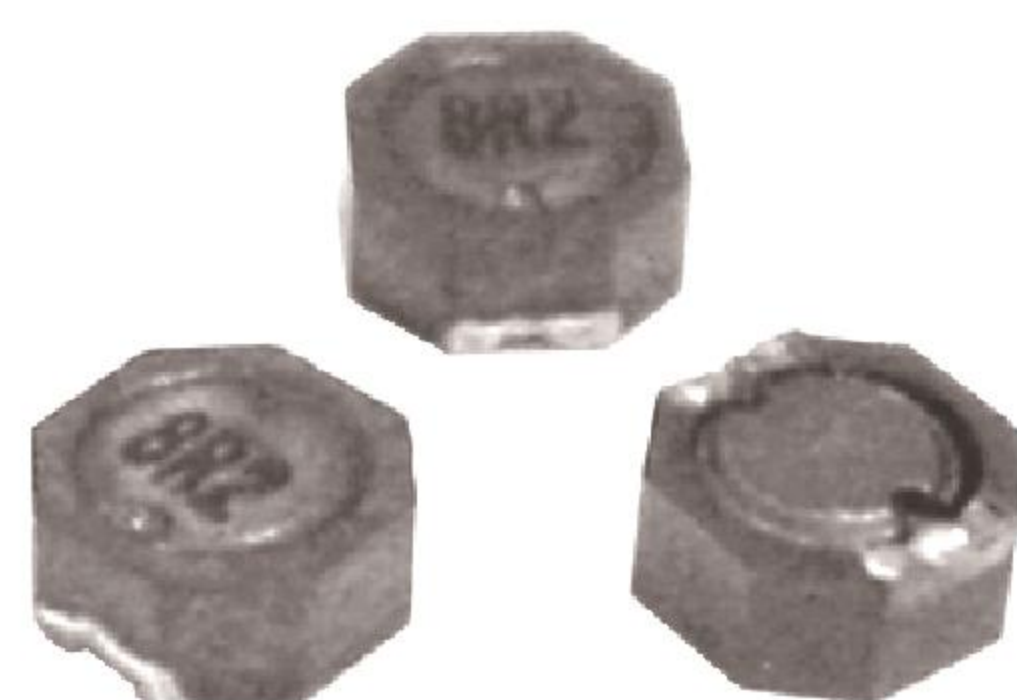
SPI-HC SERIES - HIGH CURRENT

- 0.18uH to 1.4mH Inductance
- 5mm to 12.3mm Height
- 0.53A to 40A Saturation Current



FASPI SERIES

FASDRH SERIES



SDRH-B SERIES - DUAL WINDING

- 5.6uH to 160uH Inductance
- 4.50mm to 8.00mm Height
- 1A to 7A Saturation Current



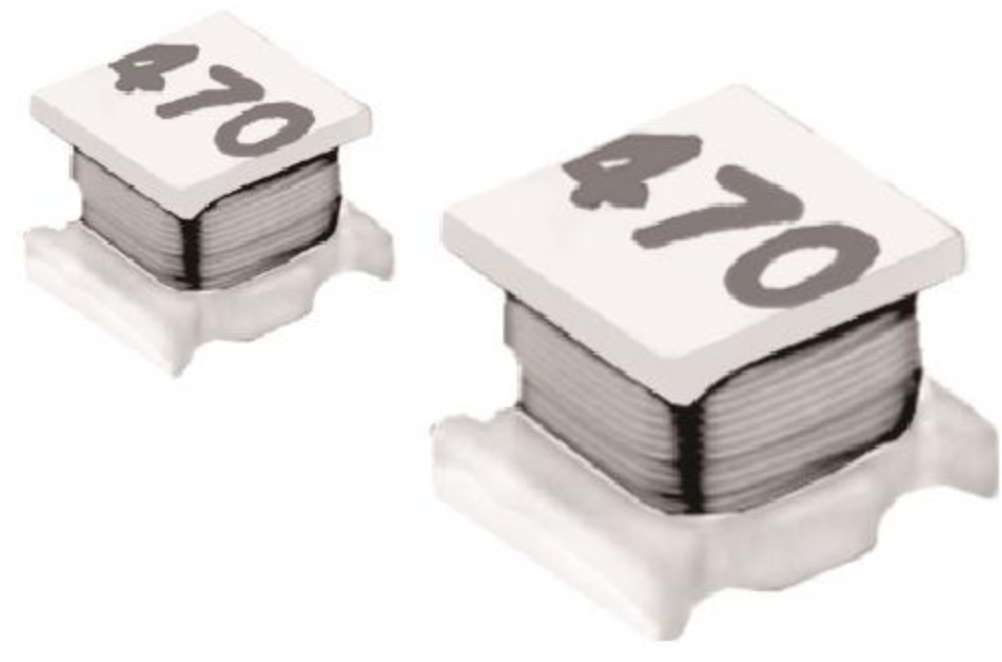
FUAN ELECTRONICS

EML: sales@fuantronics.net | TEL: +86(514)8769-3589 | WEB: www.fuantronics.net



SMD INDUCTOR

FALQH SERIES

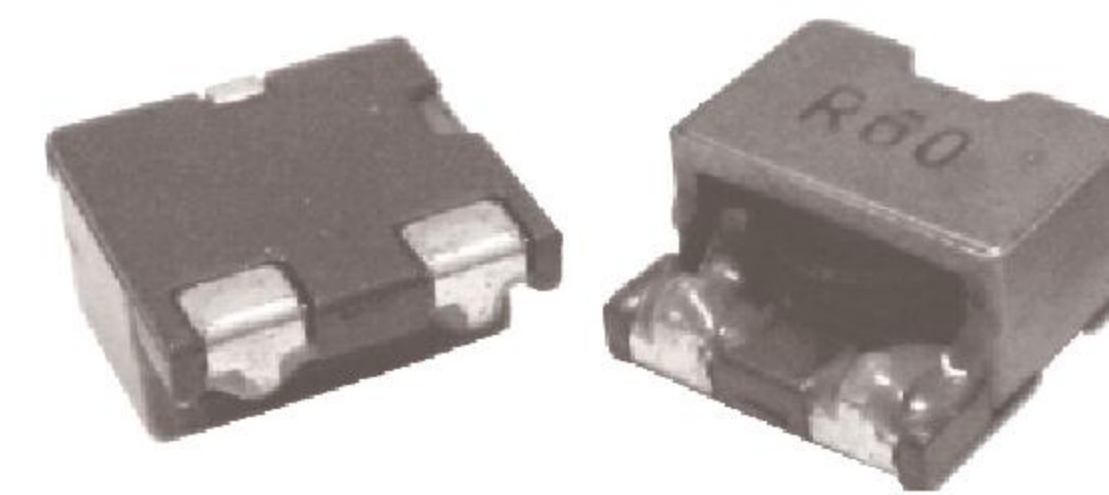


LQH1008,1206,1210,1812,2220 SERIES

- 0.1uH to 10mH Inductance
- 2.00mm to 5.00mm Height
- 0.05A to 7.80A Saturation Current

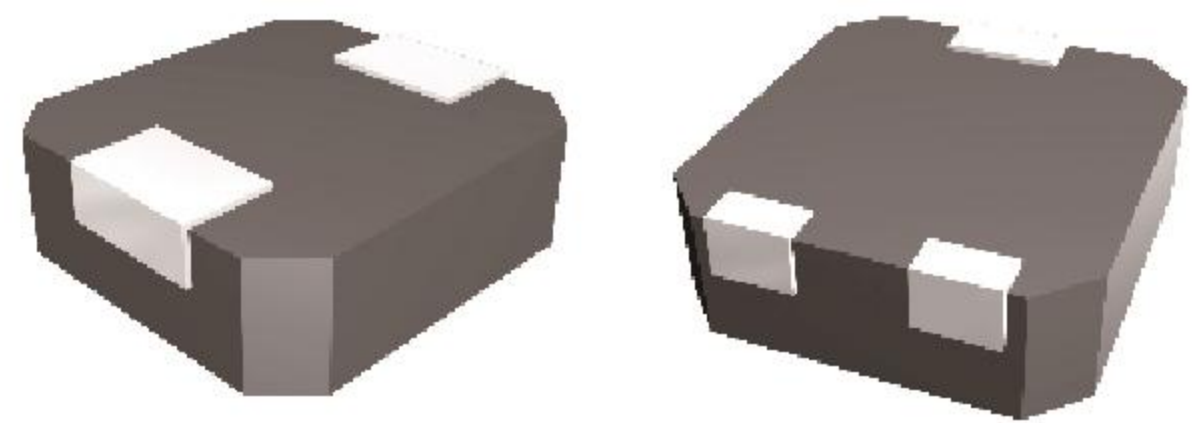
CEP SERIES - HIGH CURRENT

- 0.15uH to 27uH Inductance
- 4.5mm to 8.1mm Height
- 4.5A to 70A Saturation Current



FACEP SERIES

FAPM SERIES

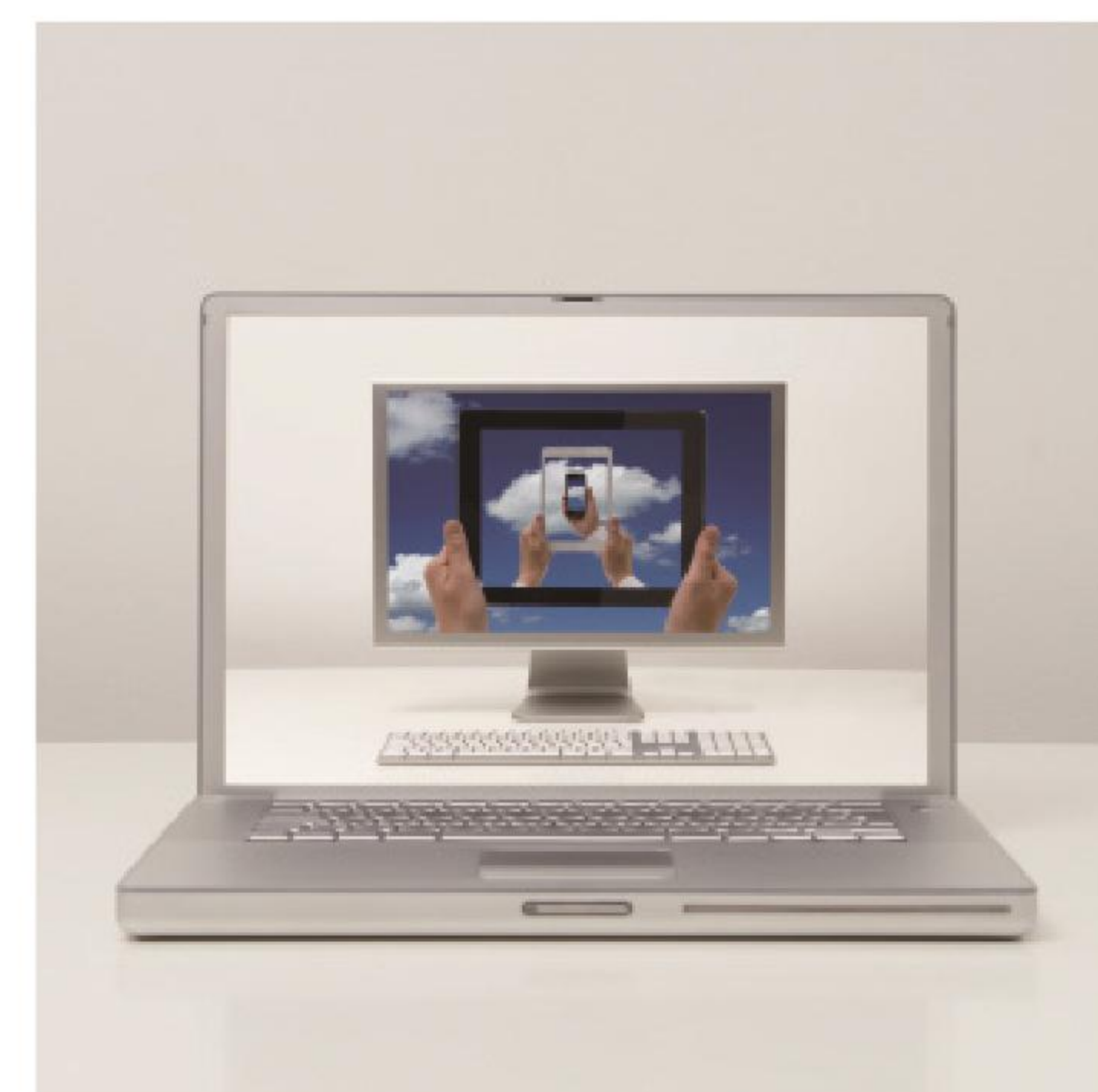
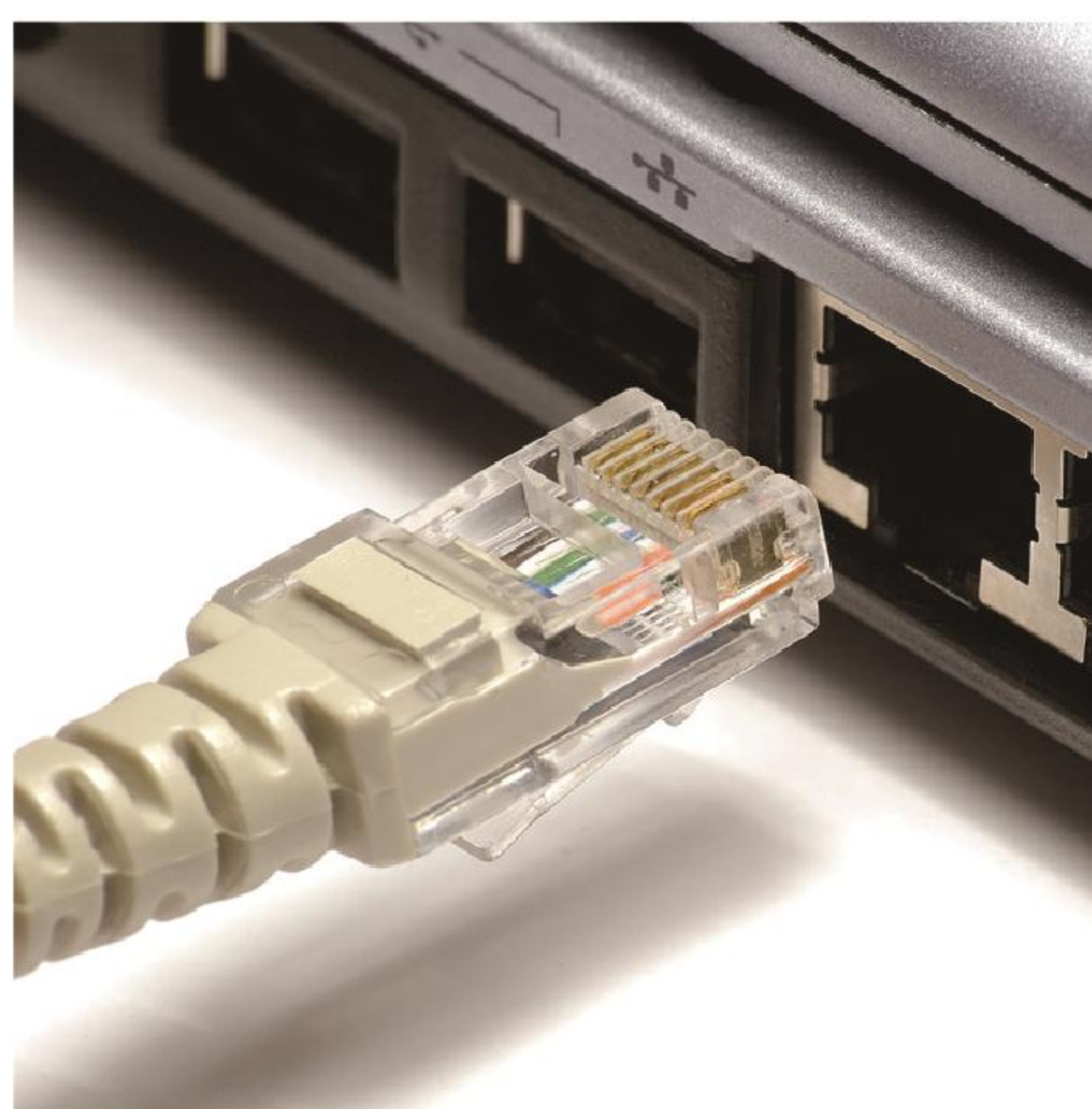
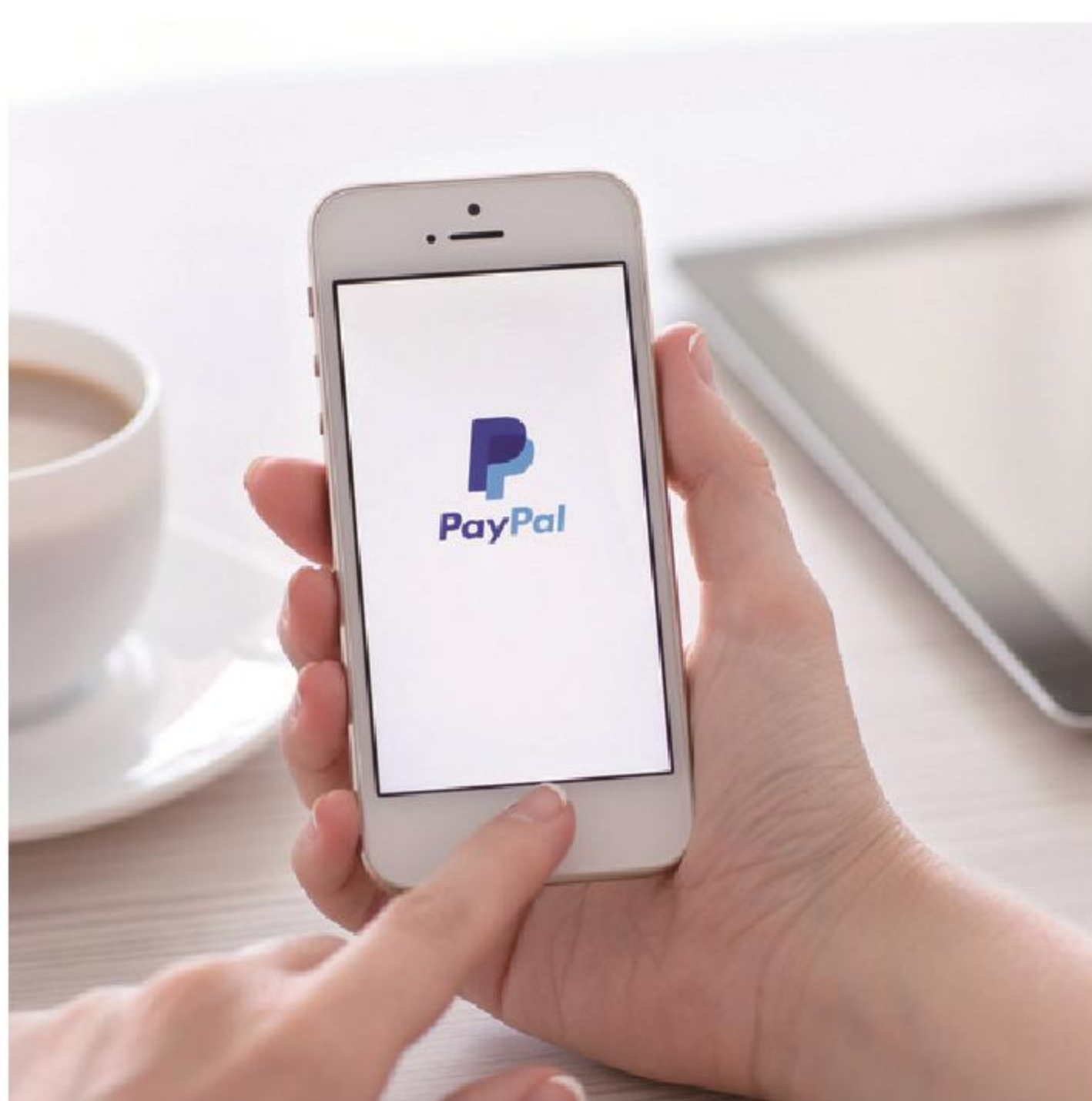


PM SERIES - HIGH FREQ&HIGH CURRENT, SHIELDED

- 0.22uH to 22uH Inductance(at up to 5MHz)
- 1.80mm to 6.70mm Height
- 2.0A to 48A Saturation Current

APPLICATIONS

- AUTOMOTIVE APPS
- DC-DC CONVERTER APPS
- TELECOM APPS
- ADSL APPS
- COMPUTER APPS



FUAN ELECTRONICS

EML: sales@fuantronics.net | TEL: +86(514)8769-3589 | WEB: www.fuantronics.net

