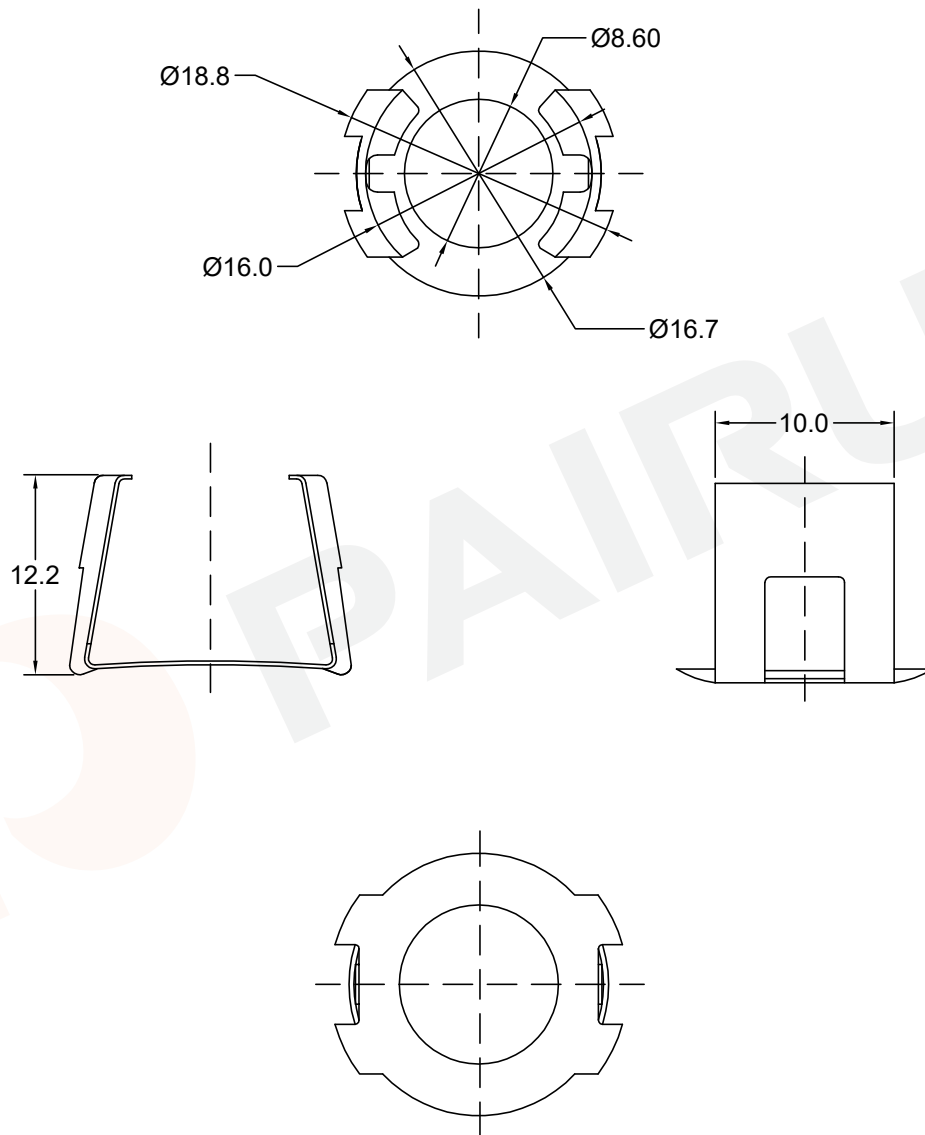


MOUNTING CLIP

DRAWING NO:PC-1811-1



Tolerances unless otherwise specified:  
 0<L≤4±0.10 4<L≤16±0.20  
 16<L≤45±0.30 45≤L±0.40  
 Wall thickness:0.30±0.05 Angle: ±1°

Dimensions:  
(mm)



REMARK

Mould No.:	Clip Material: C5191 0.30T
Code No.: FAY01269	UL Recognition:



**Fuan Electronics**  
 TEL :0086-514-87693589  
 EML :sales@fuantronics.net  
 WEB:www.fuantronics.net

Make: P.Xiao	Material Number: 222PC1811102
Checked: Beson. zhan	Document/Rev: 00
Approved: Anson. zhan	Date of Recognition: Dec./09/2019