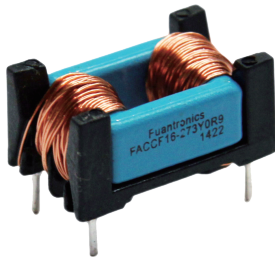


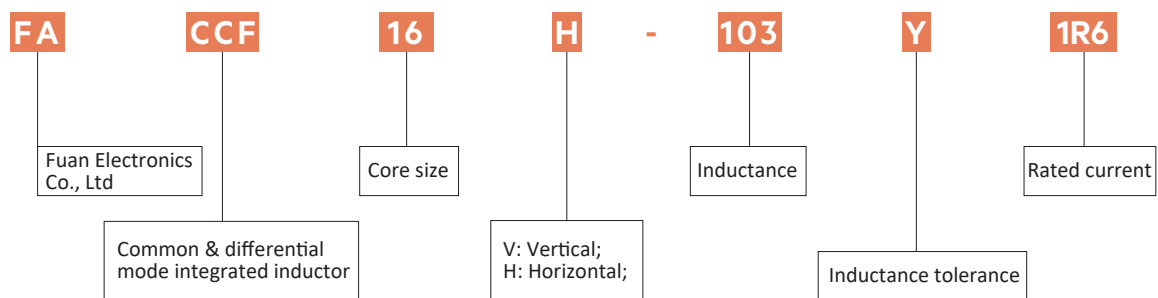
FRAME CORE CHOKES FOR POWER LINES

FACCF16H SERIES



ELECTRICAL SPECIFICATION

- Rated voltage 250 VAC
- Rated current 0.45 A to 1.6 A
- Turns ratio: N1:N2=1:1±2%
- Hi-Pot: Pri-Sec: 1500VAC/5mA/2second
- Test Frequency Response: 10KHz 100mV
- Operating temperature range: -40°C to +125°C
- Inductance tolerance: +50/-30% at 25°C
- All parts meet RoHS compliance
- Weight: Approximately 10g



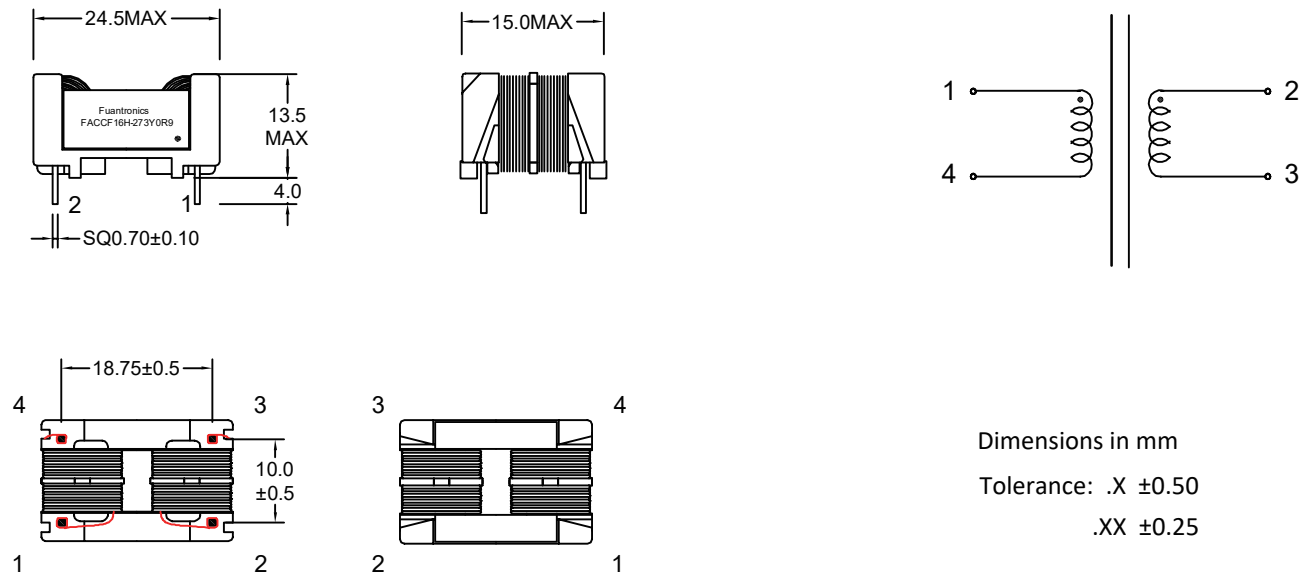
ELECTRICAL CHARACTERISTICS AT 25°C (H Series)

Part Number	Ind.(mH) 1KHz 0.25V Min	Lstray (uH) Typ	D.C.Resistance (ohms) Max	Rated Current (A)Typ
FACCF16H-103Y1R6	10	200	0.29	1.6
FACCF16H-153Y1R3	15	290	0.43	1.3
FACCF16H-273Y0R9	27	520	0.77	0.9
FACCF16H-393Y0R8	39	760	1.1	0.8
FACCF16H-473Y0R7	47	920	1.26	0.7
FACCF16H-683Y0R6	68	1340	1.97	0.6
FACCF16H-104Y0R45	100	1930	2.93	0.45

Product datasheet

ELECTRICAL INFORMATION

Dimension in mm



Dimensions in mm

Tolerance: .X ± 0.50

.XX ± 0.25