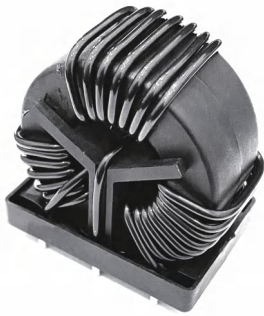


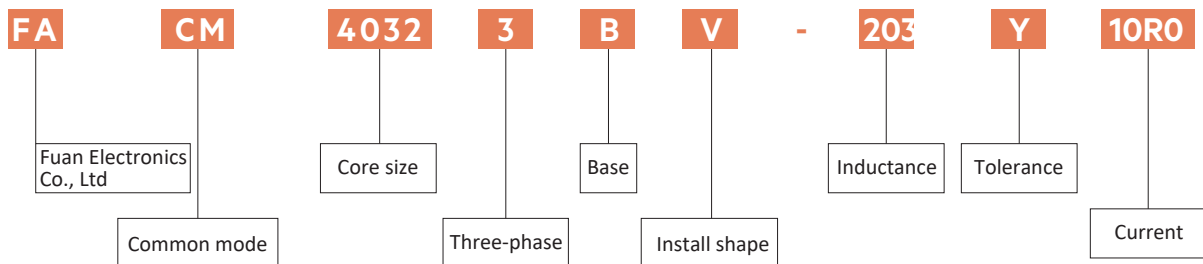
THREE PHASE COMMON MODE INDUCTOR

FACM40323BV SERIES



ELECTRICAL SPECIFICATION

- Up to 600VAC or VDC.
- 3-wire configurations
- Vertical Base mounting types.
- Ruggedized saturation and thermal behavior
- Test Frequency Response:10KHz/100mV
- Operating Temperature Range: -40°C to +125°C
- Inductance Tolerance:+50%/-30% at 25°C
- All Parts Meet Rohs Compliance
- Current to cause 70°C max. temperature rise.



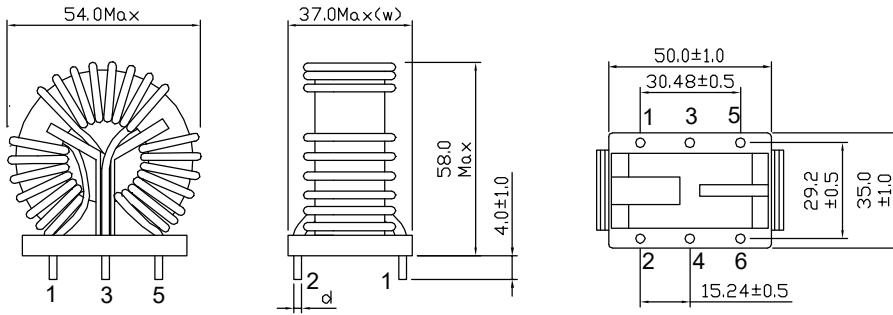
ELECTRICAL CHARACTERISTICS

Part No.	Inductance(mH) 10KHz 0.1V +50%/-30%	Inductance 100KHz 0.1V typ	Rated Current (A)Typ	D.C.R (mohms) Max	Wire (mm) d
FACM40323BV-203Y10R0	20	4.7	10	16.0	1.40
FACM40323BV-153Y13R0	15	3.7	13	12.0	1.60
FACM40323BV-123Y16R0	12	3.0	16	7.5	1.80
FACM40323BV-552Y20R0	5.5	1.3	20	4.5	2.00
FACM40323BV-442Y25R0	4.4	1.05	25	3.0	2.24
FACM40323BV-272Y30R0	2.7	0.64	30	2.0	2.50
FACM40243BV-302Y10R0	3.0		10	13.0	1.40
FACM40243BV-232Y13R0	2.3		13	9.0	1.60
FACM40243BV-162Y16R0	1.6		16	5.5	1.80
FACM40243BV-681Y23R0	0.68		23	3.0	2.00
FACM40243BV-501Y28R0	0.5		28	2.2	2.24
FACM40243BV-351Y35R0	0.35		35	1.7	2.50

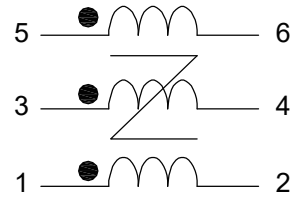
Product datasheet

ELECTRICAL INFORMATION

Dimension in mm



"V" Type



Tolerance: X ± 0.50
.XX ± 0.25