

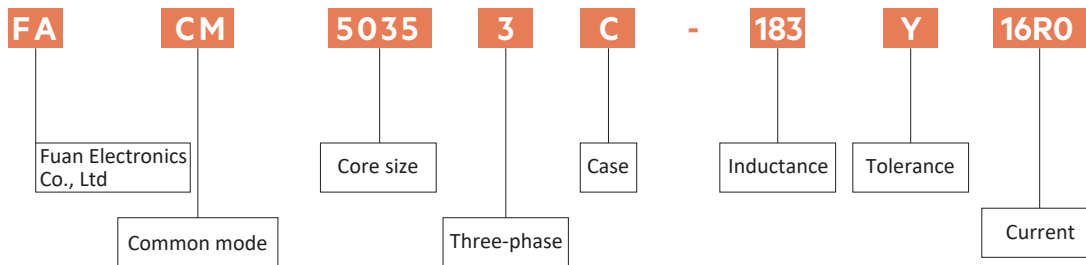
## THREE PHASE COMMON MODE INDUCTOR

### FACM50353C SERIES



#### ELECTRICAL SPECIFICATION

- Up to 600VAC or VDC.
- 3-wire configurations
- Horizontal Case mounting types.
- Ruggedized saturation and thermal behavior
- Test Frequency Response:10KHz/100mV
- Operating Temperature Range: -40°C to +125°C
- Inductance Tolerance:+50%/-30% at 25°C
- All Parts Meet Rohs Compliance
- Current to cause 70°C max. temperature rise.



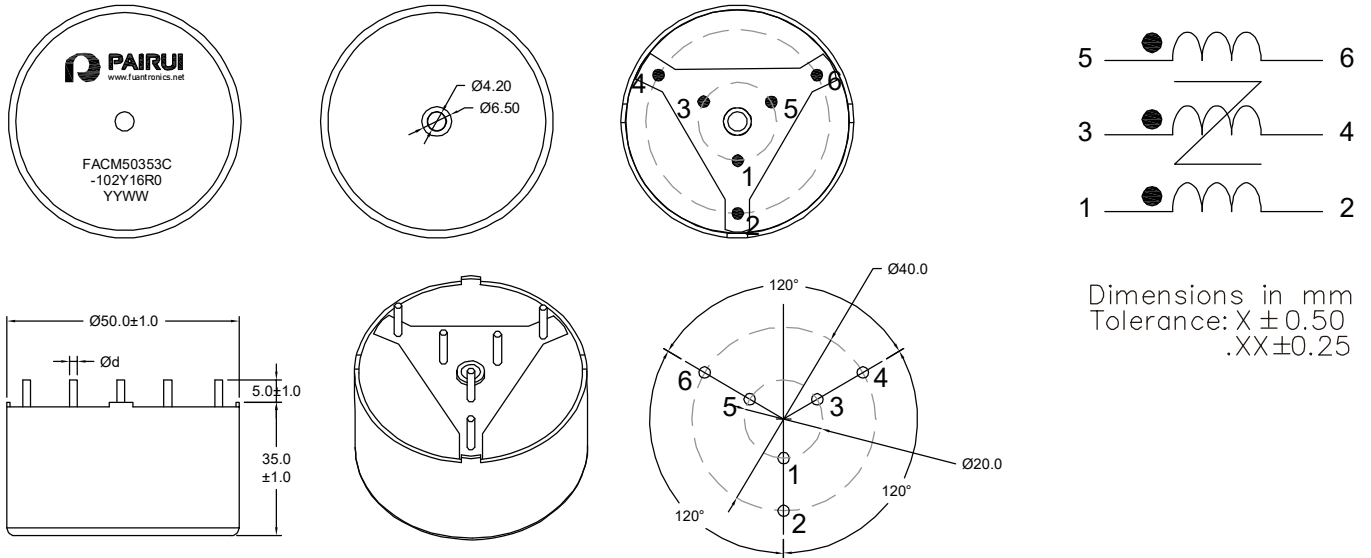
#### ELECTRICAL CHARACTERISTICS

| Part No.            | Inductance(mH)<br>10KHz 0.1V<br>+50%/-30% | Rated<br>Current<br>(A)Typ | D.C.R<br>(mohms)<br>Max | Wire<br>(mm)<br>d |
|---------------------|---|----------------------------|-------------------------|-------------------|
| FACM50353C-183Y16R0 | 18  | 16                         | 9.0                     | 1.6               |
| FACM50353C-143Y20R0 | 14  | 20                         | 7.0                     | 1.8               |
| FACM50353C-103Y20R0 | 10  | 20                         | 5.5                     | 1.8               |
| FACM50353C-822Y20R0 | 8.2                                       | 20                         | 6.0                     | 1.6               |
| FACM50353C-682Y25R0 | 6.8                                       | 25                         | 4.5                     | 1.8               |
| FACM50353C-502Y25R0 | 5.0                                       | 25                         | 4.0                     | 1.8               |
| FACM50353C-302Y16R0 | 3.0                                       | 16                         | 8.0                     | 1.6               |
| FACM50353C-202Y16R0 | 2.0                                       | 16                         | 8.0                     | 1.6               |
| FACM50353C-152Y20R0 | 1.5                                       | 20                         | 5.5                     | 1.8               |
| FACM50353C-152Y16R0 | 1.5                                       | 16                         | 8.0                     | 1.6               |
| FACM50353C-122Y20R0 | 1.2                                       | 20                         | 5.5                     | 1.6               |
| FACM50353C-102Y16R0 | 1.0                                       | 16                         | 8.0                     | 1.6               |
| FACM50353C-851Y20R0 | 0.85                                      | 20                         | 5.5                     | 1.6               |
| FACM50353C-681Y25R0 | 0.68                                      | 25                         | 4.0                     | 1.8               |
| FACM50353C-681Y20R0 | 0.68                                      | 20                         | 5.5                     | 1.6               |
| FACM50353C-501Y25R0 | 0.50                                      | 25                         | 4.0                     | 1.8               |

# Product datasheet

## ELECTRICAL INFORMATION

Dimension in mm



Dimensions in mm  
Tolerance: X  $\pm 0.50$   
.XX  $\pm 0.25$