

HIGH CURRENT SURFACE-MOUNT WIRE-WOUND INDUCTORS FALQH1210 SERIES



FEATURES :

Ferrite Core
 High Frequency Design
 Lower DCR permits High Idc
 Available in E12 series
 Excellent Q SRF Values
 Lead free versions
 RoHS compliant
 Excellent Thermal Stability

OPTIONS:

Tape & Reel is Standard
 [Qty: 2000pcs]
 Bulk packaging Available
 for Smaller Quantities
 Tolerance: K=10%,M=20% is
 Standard,Tighter Tolerances Available

COMMON APPLICATIONS:

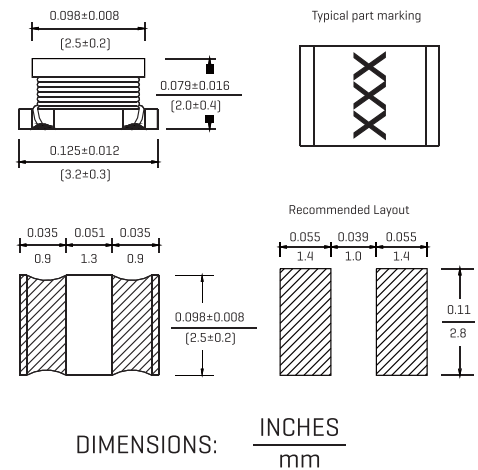
Modems PDP.LCD TVs converter
 Mobile Radios DC/DC converter
 Cordless Telephones Car radios
 Global Positioning Systems
 Wireless Communications Equipment
 Networking System,xDSL Filter
 Computer Products and Peripherals

STANDARD SPECIFICATION:

Part Number	L [μH]	L Test Freq [KHz]	Q [Min]	Q Test Freq [MHz]	SRF [MHz]	DCR [ohmMax]	IDC [mA Max]
FALQH-1210-R10M	0.1	1	10	25.2	200	0.25	700
FALQH-1210-R18M	0.18	1	10	25.2	200	0.25	650
FALQH-1210-R27M	0.27	1	10	25.2	200	0.25	600
FALQH-1210-R39M	0.39	1	10	25.2	200	0.25	530
FALQH-1210-R56M	0.56	1	10	25.2	160	0.25	530
FALQH-1210-R68M	0.68	1	10	25.2	160	0.25	470
FALQH-1210-R82M	0.82	1	10	25.21	120	0.25	450
FALQH-1210-1R0M	1.0	1	10	1	100	0.5	445
FALQH-1210-1R2M	1.2	1	10	1	100	0.6	425
FALQH-1210-1R5M	1.5	1	10	1	75	0.6	400
FALQH-1210-1R8M	1.8	1	10	1	60	0.7	390
FALQH-1210-2R2M	2.2	1	10	1	50	0.8	370
FALQH-1210-2R7M	2.7	1	10	1	43	0.9	320
FALQH-1210-3R3M	3.3	1	10	1	38	1.0	300
FALQH-1210-3R9M	3.9	1	10	1	35	1.1	290
FALQH-1210-4R7K	4.7	1	20	1	31	1.2	270
FALQH-1210-5R6K	5.6	1	20	1	28	1.3	250
FALQH-1210-6R8K	6.8	1	20	1	25	1.5	240
FALQH-1210-8R2K	8.2	1	20	1	23	1.6	225
FALQH-1210-100K	10	1	25	1	20	1.8	190
FALQH-1210-120K	12	1	25	1	18	2.0	180
FALQH-1210-150K	15	1	25	1	16	2.2	170
FALQH-1210-180K	18	1	25	1	15	2.5	165
FALQH-1210-220K	22	1	25	1	14	2.8	150
FALQH-1210-270K	27	1	25	1	13	3.1	125
FALQH-1210-330K	33	1	25	1	12	3.5	115
FALQH-1210-390K	39	1	25	1	11	3.9	110
FALQH-1210-470K	47	1	25	1	11	4.3	100
FALQH-1210-560K	56	1	25	1	10	4.9	85
FALQH-1210-680K	68	1	25	1	9.0	5.5	80
FALQH-1210-820K	82	1	25	1	8.5	6.2	70
FALQH-1210-101K	100	1	30	0.796	8.0	7.0	80
FALQH-1210-121K	120	1	30	0.796	7.5	8.0	75
FALQH-1210-151K	150	1	30	0.796	7.0	9.3	70
FALQH-1210-181K	180	1	30	0.796	6.0	10.2	65
FALQH-1210-221K	220	1	30	0.796	5.5	11.8	65
FALQH-1210-271K	270	1	30	0.796	5.0	12.5	65
FALQH-1210-331K	330	1	30	0.796	5.0	13.0	65
FALQH-1210-391K	390	1	30	0.796	5.0	22.0	50
FALQH-1210-471K	470	0.001	30	0.796	5.0	25.0	45
FALQH-1210-561K	560	0.001	30	0.796	5.0	28.0	40

Note:1. K=±10%,M=±20%

PHYSICAL CHARACTERISTICS:



ELECTRONICAL SCHEMATIC:



TECHNICAL INFORMATION:

- Inductance Testing: HP4291A,HP16193A,HP4286A or equivalent
 - RDC:QuadTech 1880 Milliohm meter
 - Q- HP4342A
 - SRF-HP4191A
 - Rated Current L value drop10%typ.atIDC against its initial value
 - Temperature rise 40°C Max Reference ambient temperature
 - Solderability: 75% of the terminal electrode shall be covered
 - Soldering Methods: Wave,Reflow
 - Operating Temperature:-25°C to +85°C
 - Storage Temperature: -55°C to +125°C
- Note: All specifications subject to change without notice.

