

COMMON-MODE FILTER INDUCTOR FAPL16V&H SETRIES



FEATURES:

Rated voltage [V]: 85 to 265VAC, 50/60Hz.
 Insulation resistance: 100mΩ Min at 500DC.
 Turns ratio: N1:N2=1:1±2%.
 Test Frequency Response: 10KHz, 100mV.
 Hi-Pot: Pri-Sec: 2500V ac/1mA/60Second.
 Operating temperature range: -40°C to +105°C.
 Temperature Rise: 40°C Max.
 All parts meet ROHS compliance.
 Weight: approximately 20g.

PRODUCT IDENTIFICATION:

PL 16 V 103 Y 1R3
 a b c d e f

a: Series name
 b: Product dimensions
 c: ÷ Vis to the vertical form, 'H' is to the horizontal form
 d: Inductance Value [101:100uH; 102:1000uH; 103:10000uH]
 e: minimum value
 f: Rated current [0R2:0.2A; 1R2:1.2A; 10R2:12A]

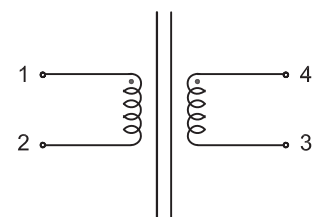
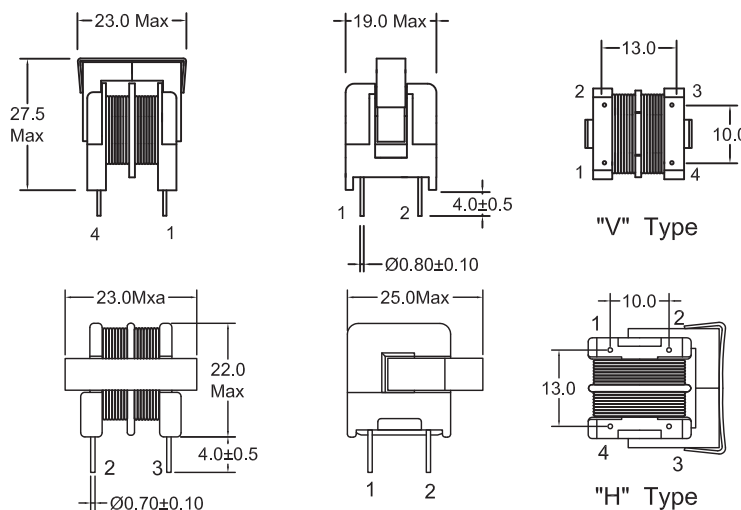
ELECTRICAL CHARACTERISTICS

Part Number	Inductance [mH]Min	D.C.Resistance [Ω] Typ at 20°C	Rated current [mA]
FAPL16V-503Y0R5	50	1.87	500
FAPL16V-453Y0R7	45	1.32	700
FAPL16V-333Y0R8	33	0.98	800
FAPL16V-273Y1R0	27	0.78	1000
FAPL16V-203Y1R1	20	0.57	1100
FAPL16V-153Y1R2	15	0.44	1200
FAPL16V-103Y1R3	10	0.32	1300
FAPL16V-802Y1R5	8	0.26	1500
FAPL16V-602Y1R7	6	0.19	1700
FAPL16V-472Y1R9	4.7	0.15	1900
FAPL16V-352Y2R1	3.5	0.12	2100
FAPL16V-252Y3R0	2.5	0.08	3000
FAPL16V-102Y3R3	1.0	0.04	3300

Part Number	Inductance [mH]Min	D.C.Resistance [Ω] Typ at 20°C	Rated current [mA]
FACM16H-503Y0R5	50	1.87	500
FACM16H-453Y0R7	45	1.32	700
FAPL16H-333Y0R8	33	0.98	800
FAPL16H-273Y1R0	27	0.78	1000
FAPL16H-203Y1R1	20	0.57	1100
FAPL16H-153Y1R2	15	0.44	1200
FAPL16H-103Y1R3	10	0.32	1300
FAPL16H-802Y1R5	8	0.26	1500
FAPL16H-602Y1R7	6	0.19	1700
FAPL16H-472Y1R9	4.7	0.15	1900
FAPL16H-352Y2R1	3.5	0.12	2100
FAPL16H-252Y3R0	2.5	0.08	3000
FAPL16H-102Y3R3	1.0	0.04	3300

TECHNICAL INFORMATION

CIRCUIT MAP



Dimensions in mm
 Tolerance: .X ±0.50
 .XX ±0.25