

# HIGH FREQUENCY CURRENT SENSING TRANSFORMER

## FACTEP10 SERIES



### ELECTRICAL SPECIFICATION

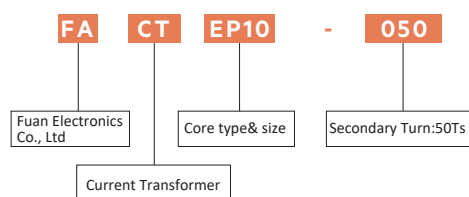
- Frequency range: 1KHz~500KHz
- Inductance: 10KHZ 0.1V.
- D.C.Resistance: at 25°C
- Storage conditions: -20°C~+40°C,<75%RH
- Operating temperature range:-40°C~+125°C
- Weight: approx.5.0g

### FEATURES

- Very low DC resistance
- Different turns ratios
- Very small package
- RoHS compatible

### APPLICATIONS

- Switching power supplies
- Feedback control
- Overload sensing
- Load drop/shut down detection



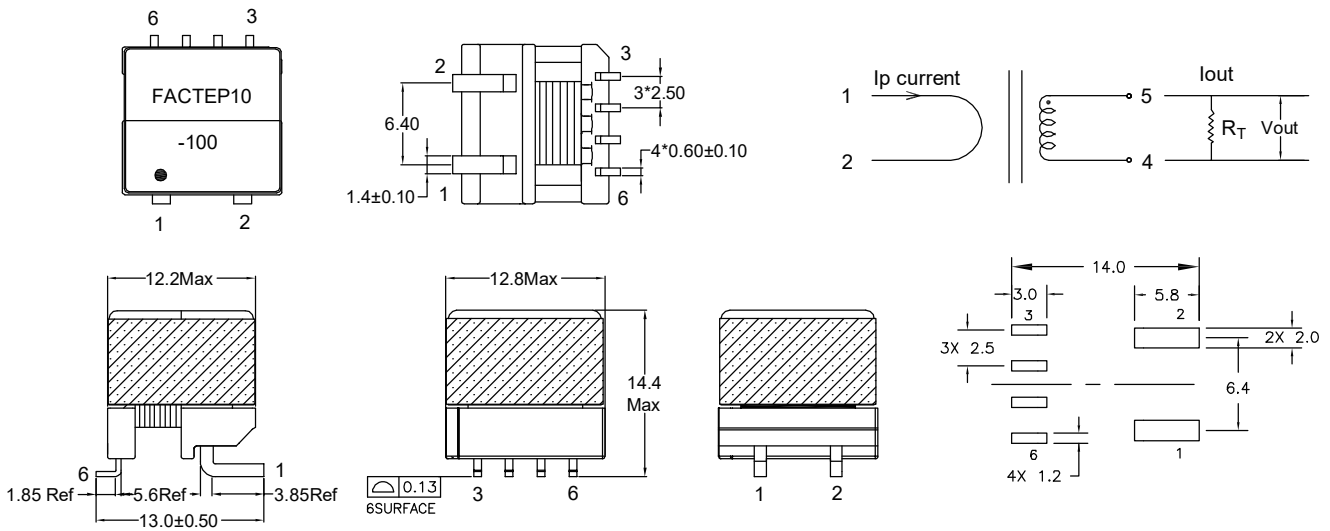
### ELECTRICAL CHARACTERISTICS FORM

Part Number	Turns ratio sec:pri	Secondary Inductance @10KHZ0.1V (mH)MIN	DCR(Ω)		Sensed Current(A) (Max)
			Sec Max	Pri Ref	
FACTEP10-050	50:1	1.7	0.65	0.0005	30
FACTEP10-070	70:1	3.0	1.38	0.0005	30
FACTEP10-100	100:1	7.0	2.79	0.0005	30
FACTEP10-125	125:1	11.0	4.0	0.0005	30
FACTEP10-150	150:1	15.8	6.0	0.0005	30
FACTEP10-180	180:1	25.0	7.4	0.0005	30
FACTEP10-200	200:1	32.0	9.0	0.0005	30

# Product datasheet

## ELECTRICAL INFORMATION

Dimension in mm



Customer to determine land layout