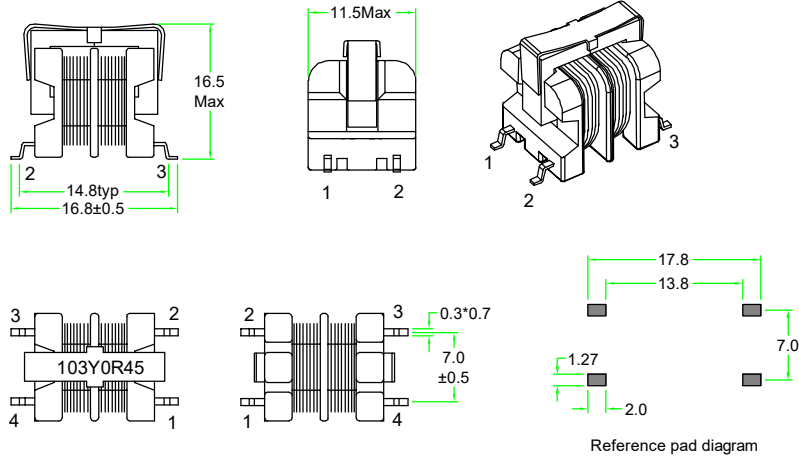
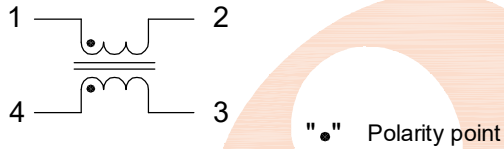


Outline Dimensions (Unit:mm)

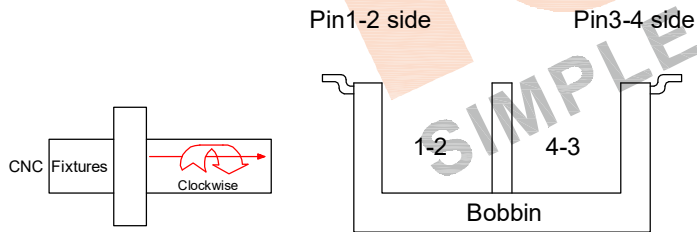


REMARK:
1. Product vacuum impregnation.

Electronical Schematic



Winding Construction:



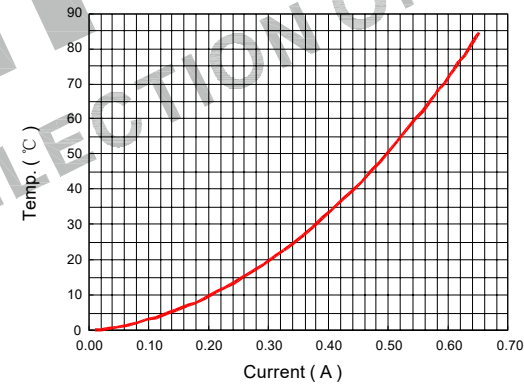
Electrical Characteristics

Inductance : 10.0mH Min,at 10KHz,0.1V.
Rated current : 0.45Amps.
D.C.Resistance : 1.75 ohms Max.
Turns Ratio : Wdg1:Wdg2=1:1±1%,at 20KHz,1V.
Hipot : Coil-Coil : 2000VAC/3mA/2S.

General Properties:

Operating Temperature:-40°C to +125°C
(Temperature rise included).
Storage Temperature:-25°C to +85°C.
Storage Humidity:RH10%~70%.
Weight: ≈4.0g

Current VS Temp.(Simulation test).



List of UL Certificate:

No.	Part Name	Mat'l Description	Supplier	UL Number
1	Bobbin	SMD-UU9.8/LCP	Toray industries inc	E41797
2	Copper wire	2UEW-F/155C	Dong Guan YiDa Industrial Co Ltd	E344055
3	Core	UU9.8-H10K	Fuan	N/A
4	Clip	UU9.8/SUS301	Chuangshun Hardware Electronic Factory	N/A
5	Varnish	T-4260(a)/MW80-C	SuZhou TaiHu Electric Advanced Material Co Ltd	E228349

Tianchang Fuan Electronic Co Ltd
www.fuantronics.net
TEL: +86-550-7814888
FAX: +86-550-7831133

Tolerances unless otherwise specified:
(X)±0.50 (XX)±0.25
Unit of measurement: mm

Make: *Jinze*
Checked: *BenSon*
Approved: *AmSon*

DRAWING TITLE
UU9.8 COMMON-CODE
FILTER INDUCTOR
Material Number:

Customer P/N:
Document/Rev: FARD2505011/00
Specification Sheet: 1 of 1
Date of Recognition: May./08/2025