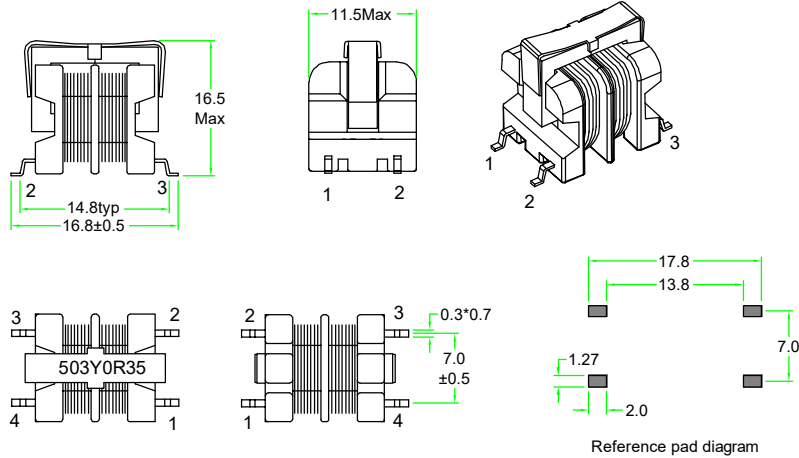


Outline Dimensions(Unit:mm)



REMARK:

1. Product vacuum impregnation.

Electronical Schematic

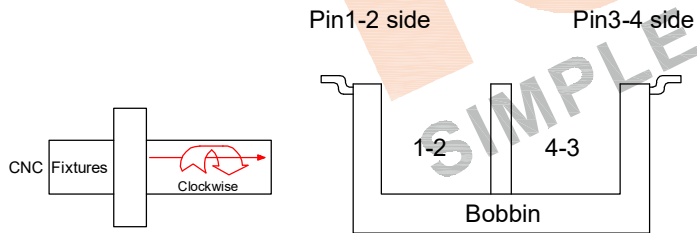
120Ts REF/0.20mm



120Ts REF/0.20mm

"•" Polarity point

Winding Construction:



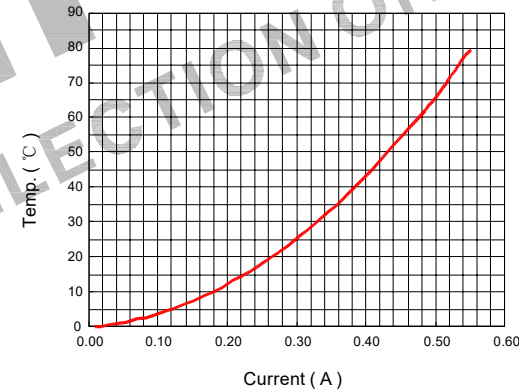
Electrical Characteristics

Inductance : 50.0mH Min,at 1KHz,0.25V.  
 Rated current : 0.35Amps.  
 D.C.Resistance : 2.0 ohms Max.  
 Turns Ratio : Wdg1:Wdg2=1:1±1%,at 20KHz,1V.  
 Hipot : Coil-Coil : 1500VAC/3mA/2S.

General Properties:

Operating Temperature:-40°C to +125°C  
 (Temperature rise included).  
 Storage Temperature:-25°C to +85°C.  
 Storage Humidity:RH10%~70%.  
 Weight: ≈4.2g

Current VS Temp.(Simulation test)



List of UL Certificate:

No.	Part Name	Mat'l Description	Supplier	UL Number
1	Bobbin	SMD-UU9.8/LCP	Toray industries inc	E41797
2	Copper wire	2UEW-F/155C	Dong Guan YiDa Industrial Co Ltd	E344055
3	Core	UU9.8-H15K	Fuan	N/A
4	Clip	UU9.8/SUS301	Chuangshun Hardware Electronic Factory	N/A
5	Varnish	T-4260(a)/MW80-C	SuZhou TaiHu Electric Advanced Material Co Ltd	E228349

REV	DESCRIPTION	APPD	DATE	Tianchang Fuan Electronic Co Ltd www.fuantronics.net TEL: +86-550-7814888 FAX: +86-550-7831133	 Tolerances unless otherwise specified: (X)±0.50 (XX)±0.25 Unit of measurement: mm	Make: <i>Jun</i> Checked: <i>BenSon</i> Approved: <i>AmSon</i>	<b>DRAWING TITLE</b> UU9.8 COMMON-CODE FILTER INDUCTOR Material Number:	Customer P/N: Document/Rev: FARD2505026/00 Specification Sheet: 1 of 1 Date of Recognition: May./08/2025
-----	-------------	------	------	---	---	--	--	---