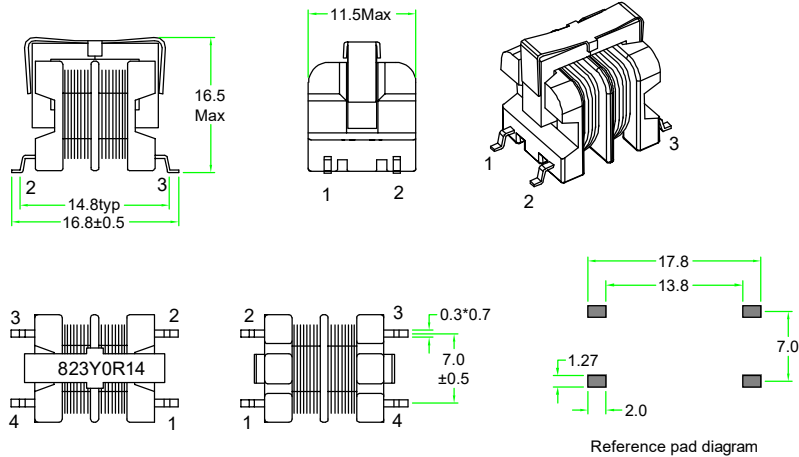
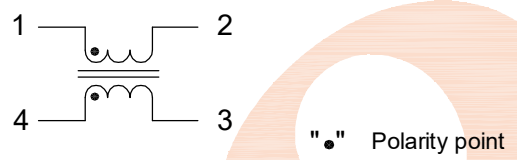


Outline Dimensions(Unit:mm)

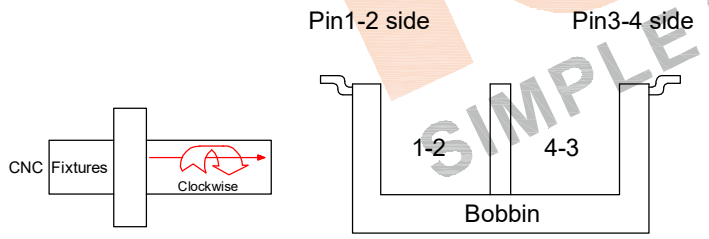


REMARK:
1. Product vacuum impregnation.

Electronical Schematic



Winding Construction:



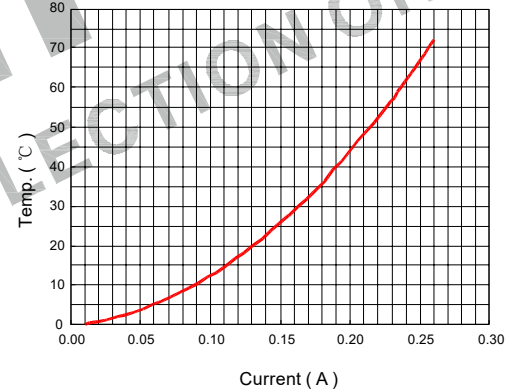
Electrical Characteristics

Inductance : 82.0mH Min,at 10KHz,0.1V.
Rated current : 0.14Amps.
D.C.Resistance : 8.5 ohms Max.
Turns Ratio : Wdg1:Wdg2=1:1±1%,at 20KHz,1V.
Hipot : Coil-Coil : 1500VAC/3mA/2S.

General Properties:

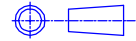
Operating Temperature:-40°C to +125°C
(Temperature rise included).
Storage Temperature:-25°C to +85°C.
Storage Humidity:RH10%~70%.
Weight: ≈4.2g

Current VS Temp.(Simulation test)



List of UL Certificate:

No.	Part Name	Mat'l Description	Supplier	UL Number
1	Bobbin	SMD-UU9.8/LCP	Toray industries inc	E41797
2	Copper wire	2UEW-F/155C	Dong Guan YiDa Industrial Co Ltd	E344055
3	Core	UU9.8-H10K	Fuan	N/A
4	Clip	UU9.8/SUS301	Chuangshun Hardware Electronic Factory	N/A
5	Varnish	T-4260(a)/MW80-C	SuZhou TaiHu Electric Advanced Material Co Ltd	E228349

				Tianchang Fuan Electronic Co Ltd www.fuantronics.net TEL: +86-550-7814888 FAX: +86-550-7831133		 Tolerances unless otherwise specified: (X)±0.50 (XX)±0.25 Unit of measurement: mm		Make: <i>Junle</i> Checked: <i>BenSon</i> Approved: <i>AmSon</i>		DRAWING TITLE UU9.8 COMMON-CODE FILTER INDUCTOR Material Number:		Customer P/N: Document/Rev: FARD2505031/00 Specification Sheet: 1 of 1 Date of Recognition: May./08/2025	
REV	DESCRIPTION	APPD	DATE										